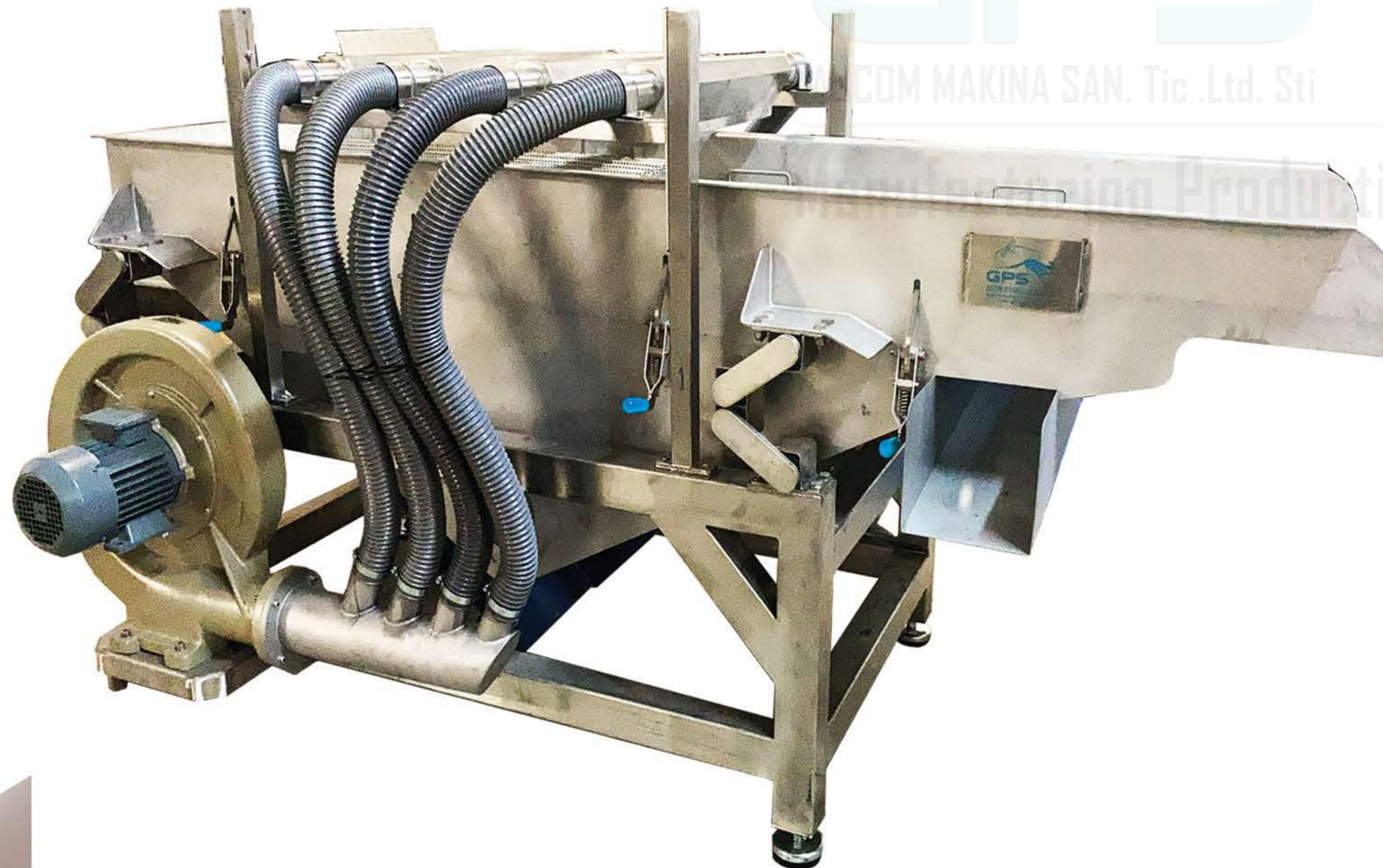
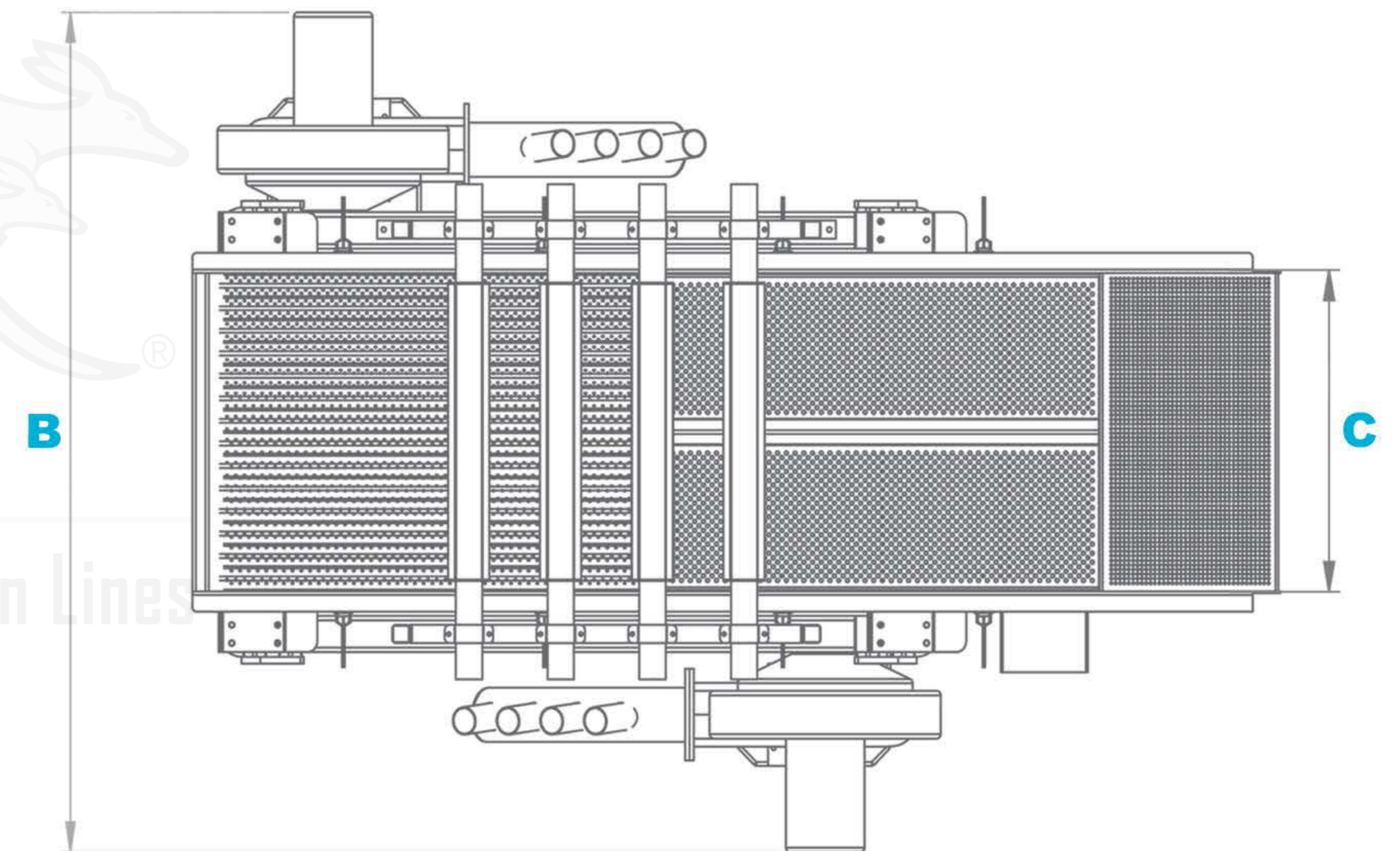
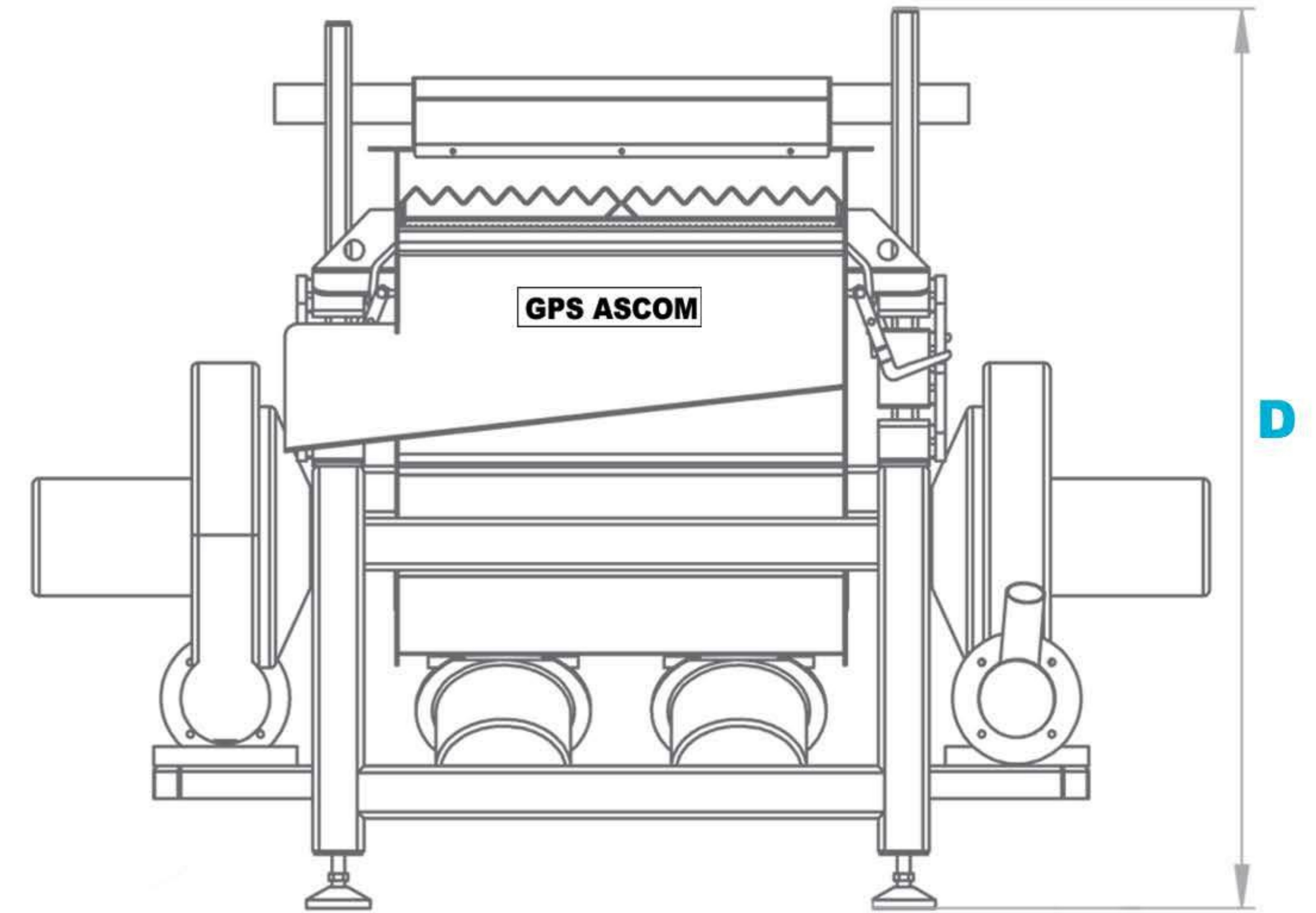
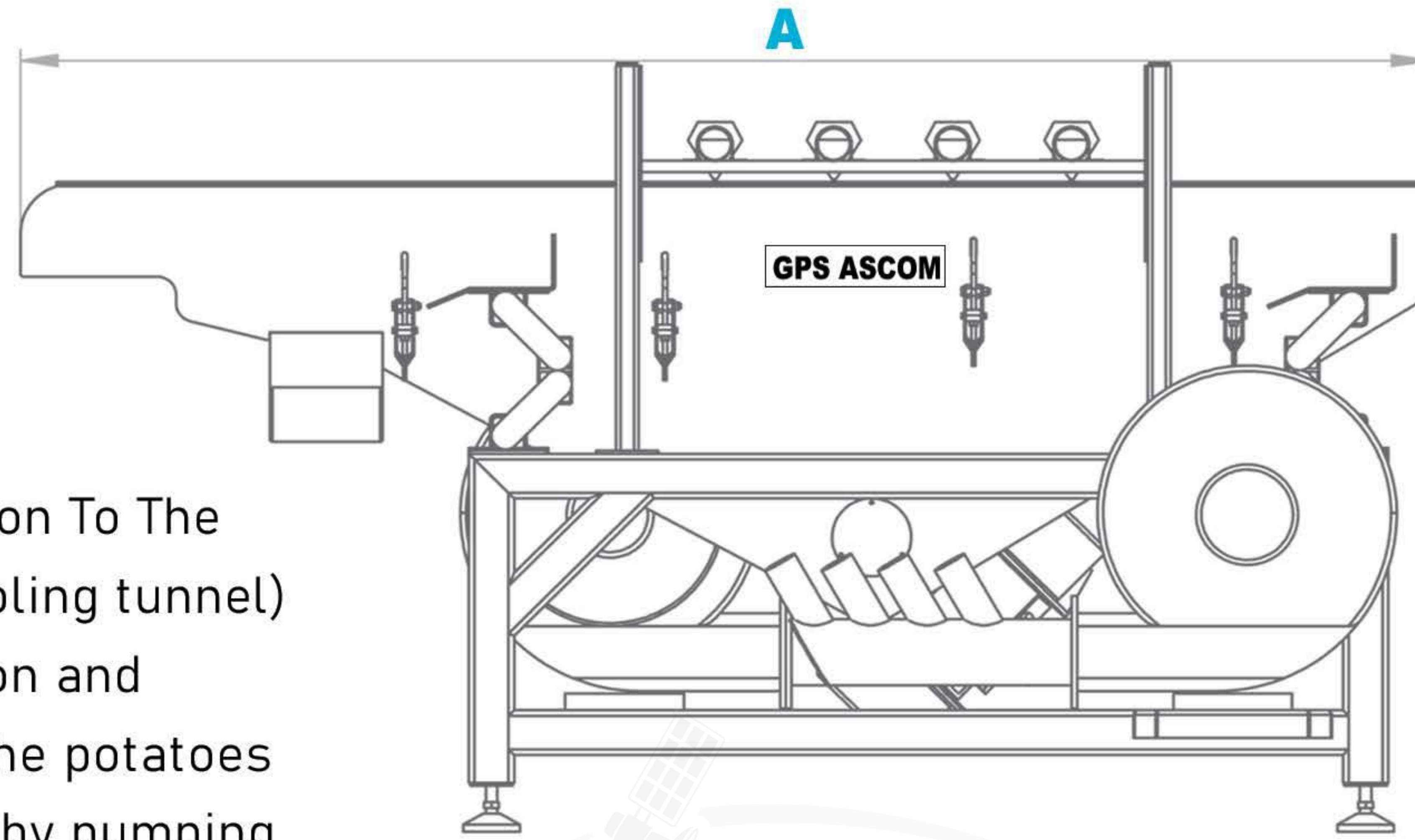


**VIBRATING FEEDER**

**GVFWA**

**\* VIBRATING FEEDER WITH AIR KNIVES**

Used To Feed Products By Vibration To The following process equipment (cooling tunnel) It works by the method of vibration and air blowing to filter the oil from the potatoes after they leave the frying tunnel by pumping the air, which leads to the descent of the temperature, as well as separating the oil and feeding the potatoes to the cooling tunnel in regular doses and not sticking the potatoes with each other



MODEL	(mm) DIMENSIONS				CAPCITY t/h	MOTOR	AIR NEED
	A	B	C	D			
GVFWA 2000	2500	1800	1000	1400	2TON	1.5 KW	80M <sup>3</sup> /MIN
GVFWA 4000	2950	2000	1200	1400	4TON	3 KW	120M <sup>3</sup> /MIN
GVFWA 6000	3150	2350	1400	1400	6TON	5.5 KW	160M <sup>3</sup> /MIN



**GPS-ASCOM**