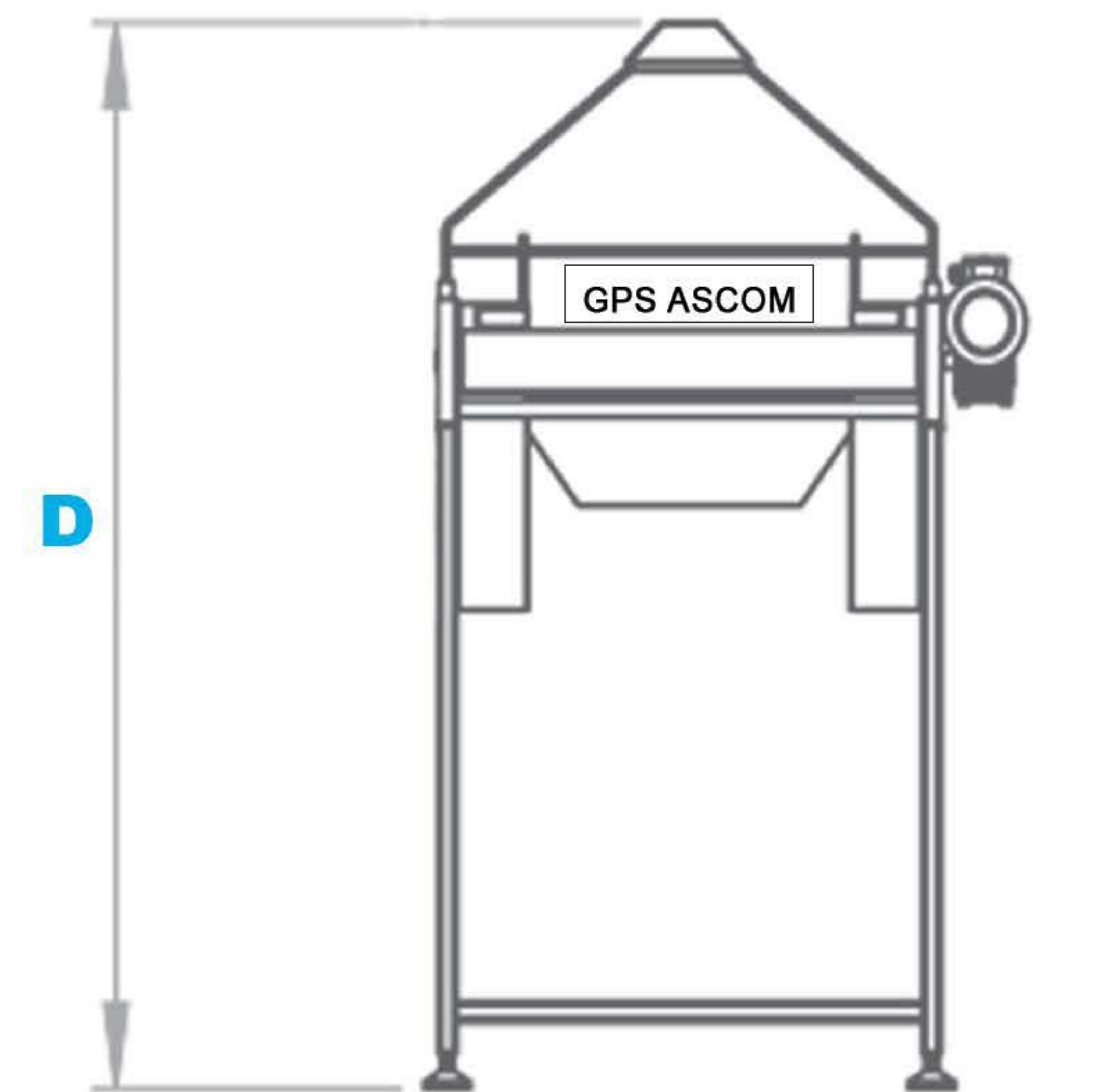
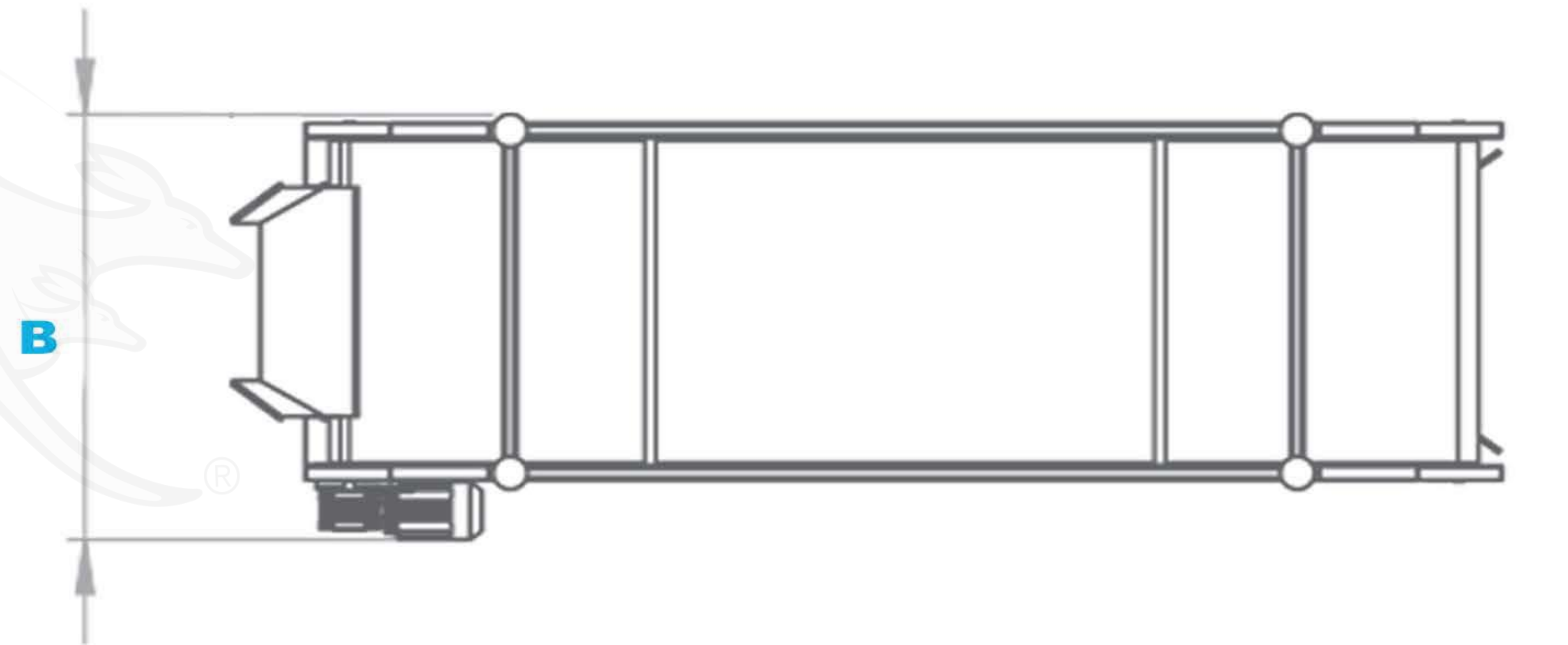
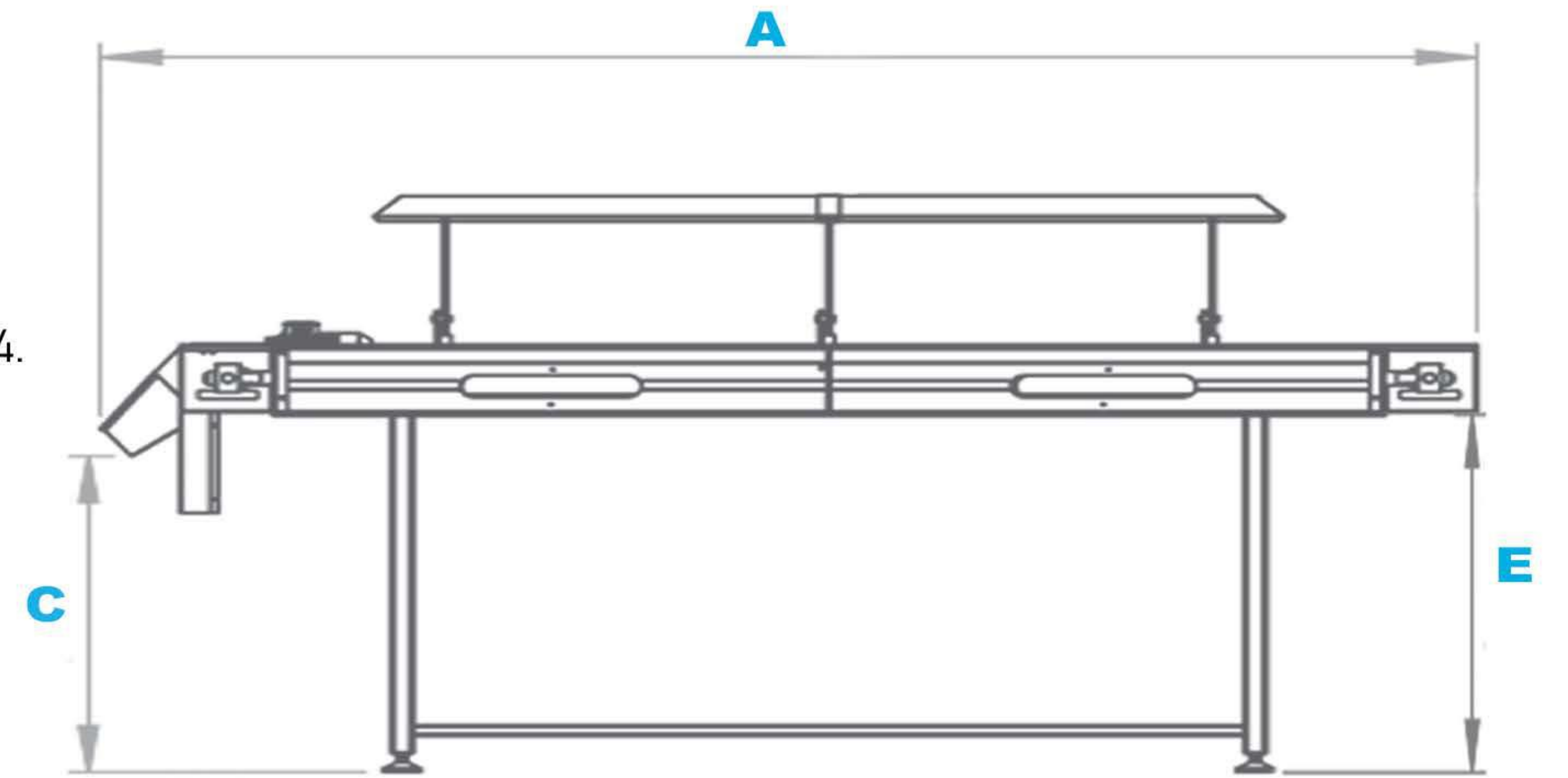
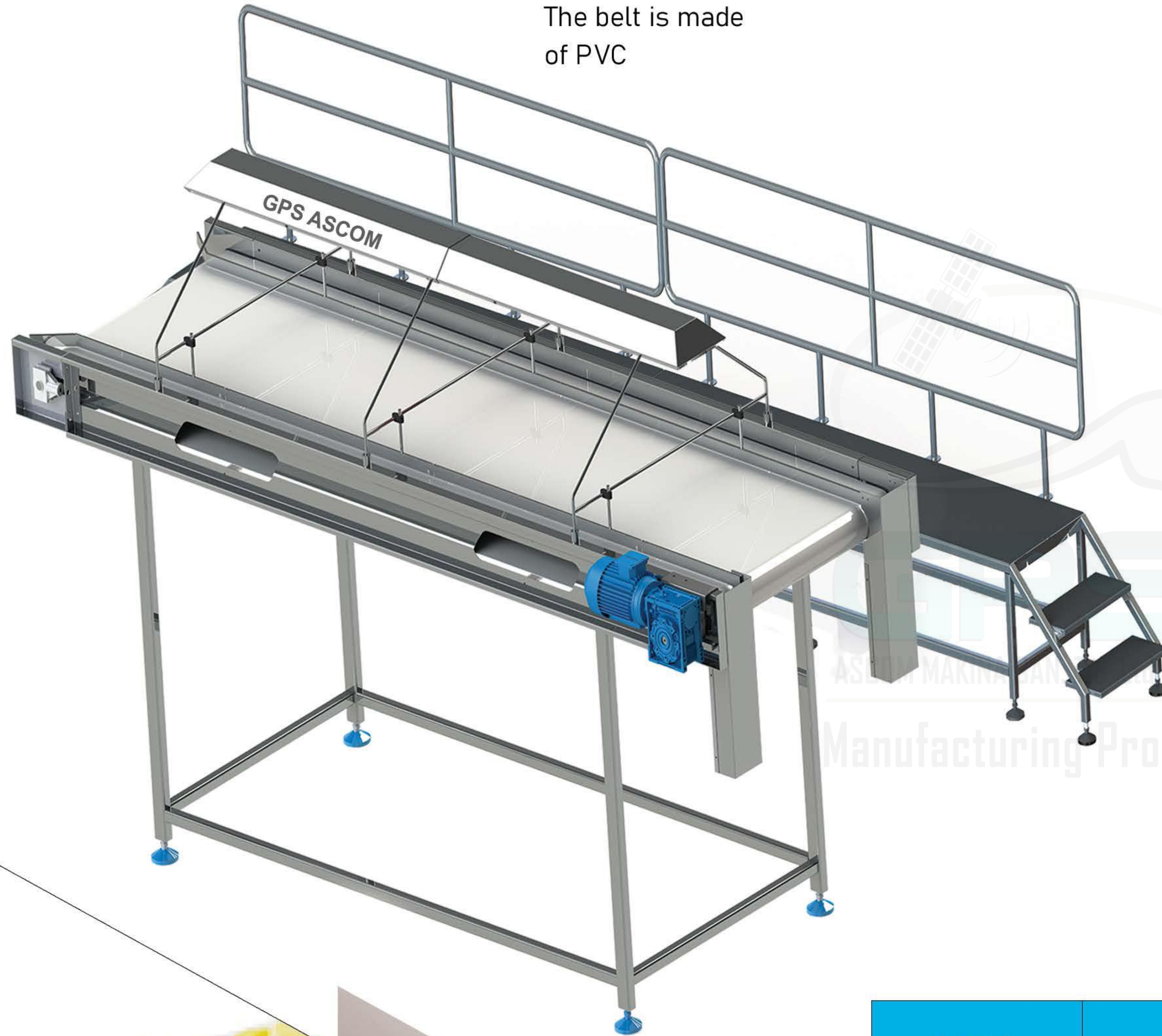


**INSPECTION BELT CONVEYOR**

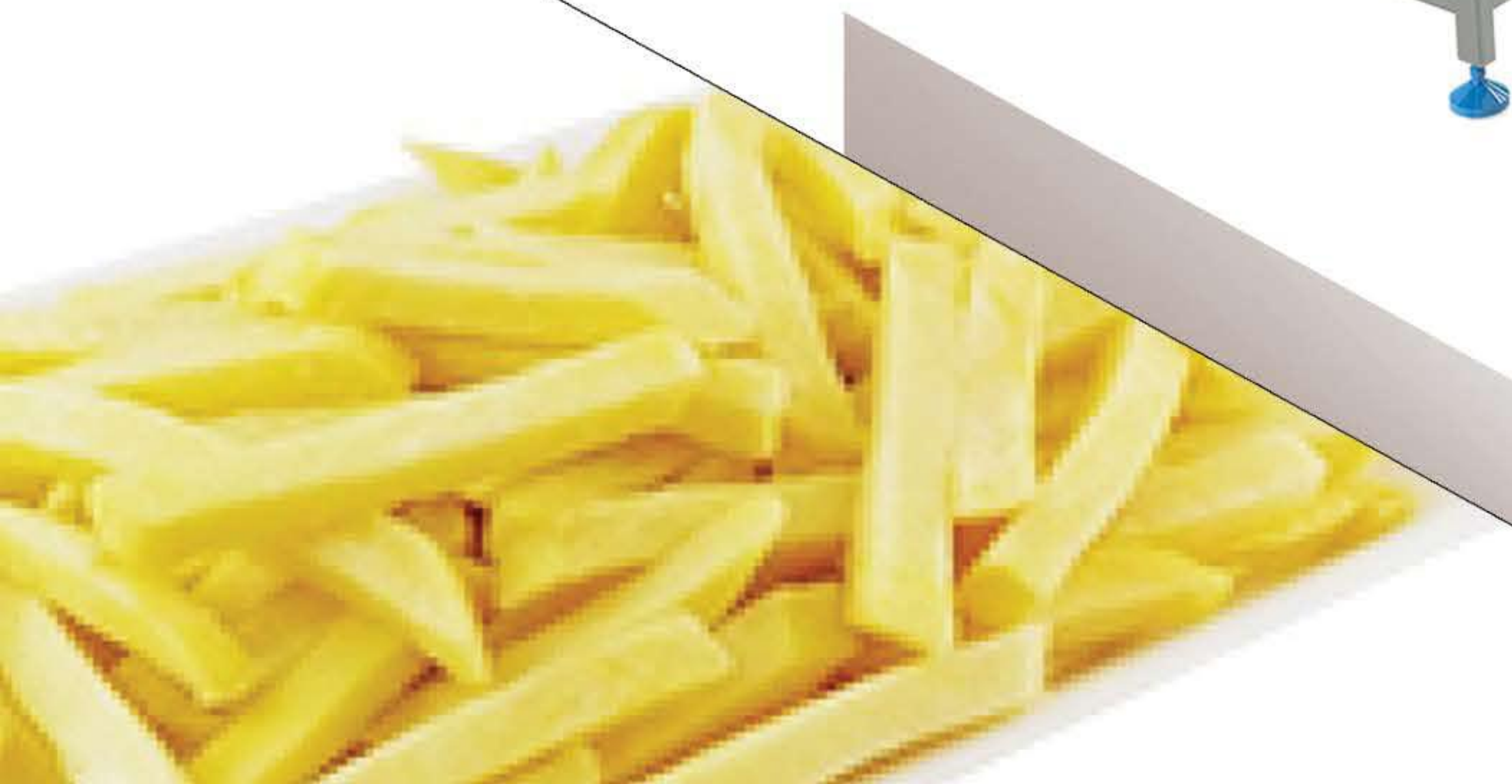
GIC

**\* INSPECTION BELT CONVEYOR**

It Is Used For Manual Inspection To Remove Fungal And Discoloration from potato sticks that appear after slicing. The conveyor belt frame is made of stainless steel 304. The belt is made of PVC



MODEL	(mm) DIMENSIONS					MOTOR
	A	B	C	D	E	
GIC 2000	3700	1300	1140	1300	2000	0.75 KW
GIC 4000-6000	7000	1550	1140	1300	2000	1.5 KW



\* STAINLESS STEEL PLATFORM :

S.steel Platform From Left And Right Direction It Full Made Of AISI 304 stainless steel and equipped non-skid surface 3 mm stainless steel with high side guards

