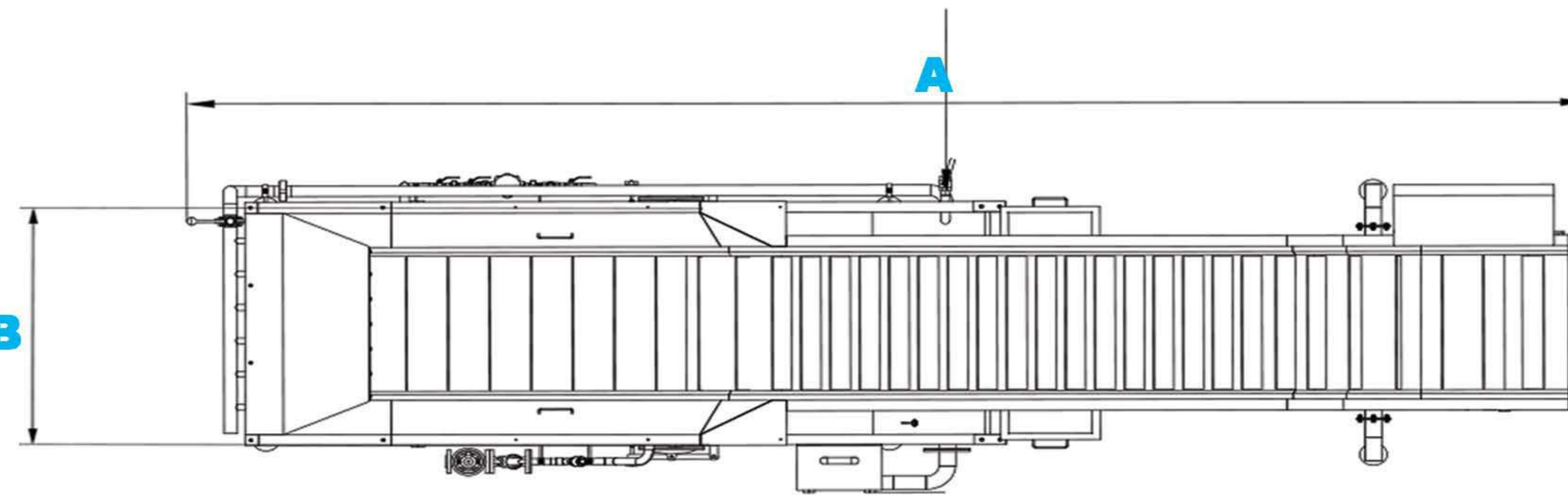
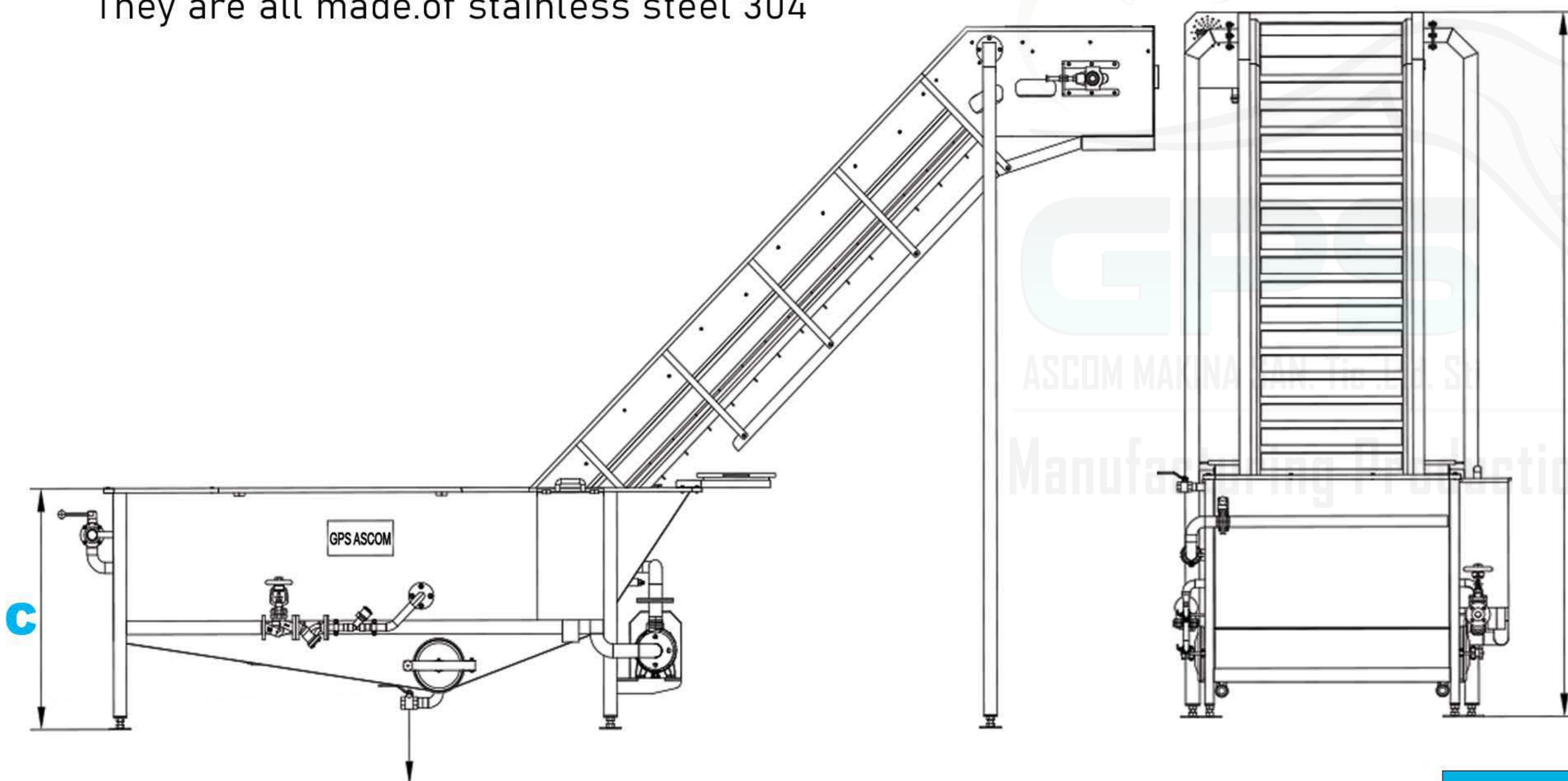


UNIVERSAL WASHING MACHINE
GCHDIP

*** UNIVERSAL WASHING MACHINE (STEAM WASHING MACHINE - JACUZZI)**



This Machine Is Used Directly After The Blancher Machine It Is The Last Washing Stage to get a final product that is free of starch and bleaching materials (dextrose & sapp dosed automatically) and uses a specially developed material for this purpose Potatoes pass from the Blancher to the basin by belt conveyor There are tubes for injecting steam inside the basin and there are water sprinklers that spray onto the cut potatoes after they leave the machine's basin They are all made.of stainless steel 304



MODEL	(mm) DIMENSIONS				CAPCITY t/h	MOTOR	STEAM	WATER
	A	B	C	D				
GCHDIP 2000	5000	1000	1050	3054	2TON	0.75KW	100Kg/h-6Bar	0.5M ³ /h-4Bar
GCHDIP 4000	7000	1400	1050	3054	4TON	1.5KW	200Kg/h-6Bar	1M ³ /h-4Bar
GCHDIP 6000	9000	1400	1050	3054	6TON	3KW	300Kg/h-6Bar	1.5M ³ /h-4Bar

