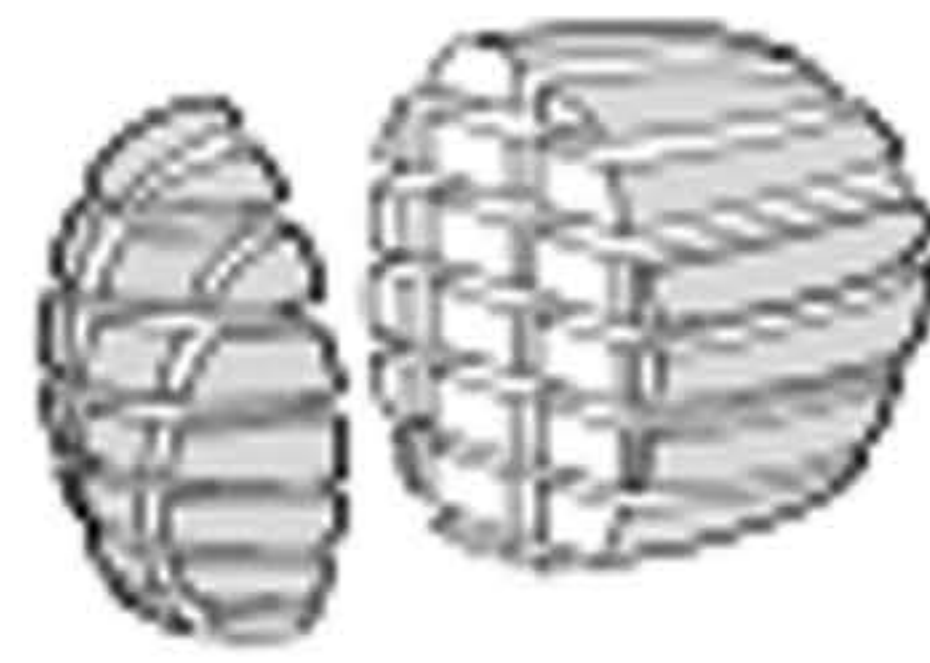


**Rectangular Strips**

- (7.1 x 10.3 mm)
- (7.1 x 15.1 mm)
- (7.4 x 8.0 mm)
- (8.0 x 9.5 mm)
- (8.0 x 19.1 mm)
- (8.0 x 9.8 mm)
- (8.4 x 10 mm)
- (8.7 x 11.9 mm)
- (9.5 x 19.1 mm)
- (11.1 x 19.1 mm)
- (11.1 x 22.2 mm)



**APPLICATIONS**

The Urschel® Watergun Model 360 is designed for use in large volume watergun systems. This unit can be integrated into watergun systems and offers fast, easy cutting head replacement for changing knives or sizes of cuts. Infeed diameter measures (86 mm) and a discharge diameter measures 5.820" (148 mm). The Model 360 is designed for easy cleanup and maintenance.

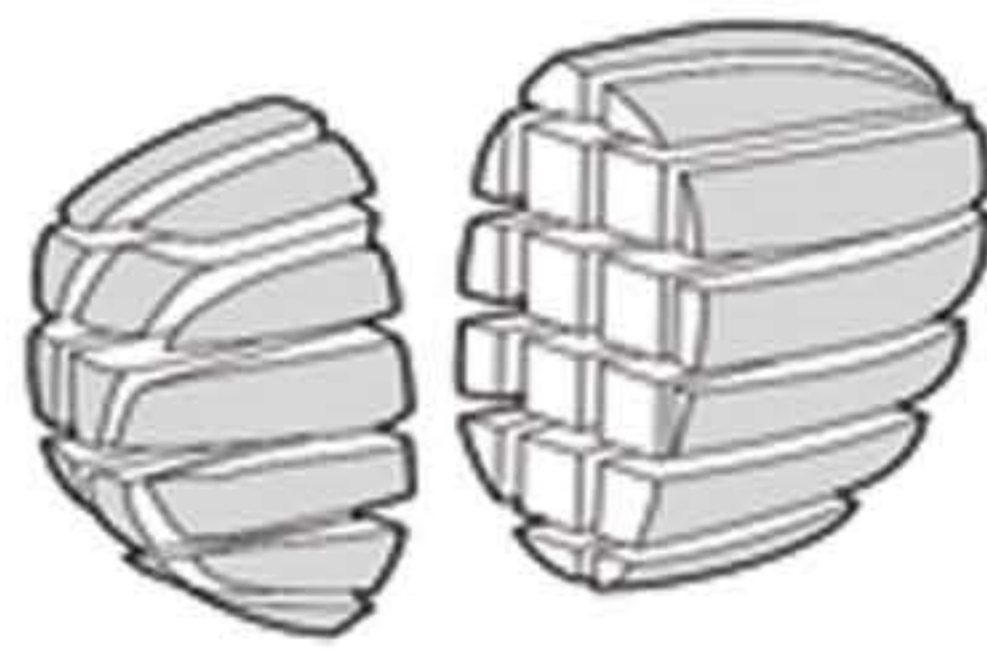
**OPERATING PRINCIPLE**

Potatoes to be cut are propelled by water through tubing to the watergun unit. The velocity of the potato at the watergun unit should be in the range of 50 to 60 feet per second (15 to 18 m/s). The pump should be selected to provide proper volume and velocity of the water with an impeller designed to minimize the possibility of damage to the potatoes.

**TYPES OF CUTS**

Square Strips: (6.4 mm)

- (7.1 mm)
- (7.4 mm)
- (7.6 mm)
- (8.0 mm)
- (8.7 mm)
- (9.5 mm)
- (10.3 mm)
- (11.1 mm)
- (11.9 mm)
- (12.7 mm)
- (14.3 mm)
- (15.9 mm)
- (19.1 mm)



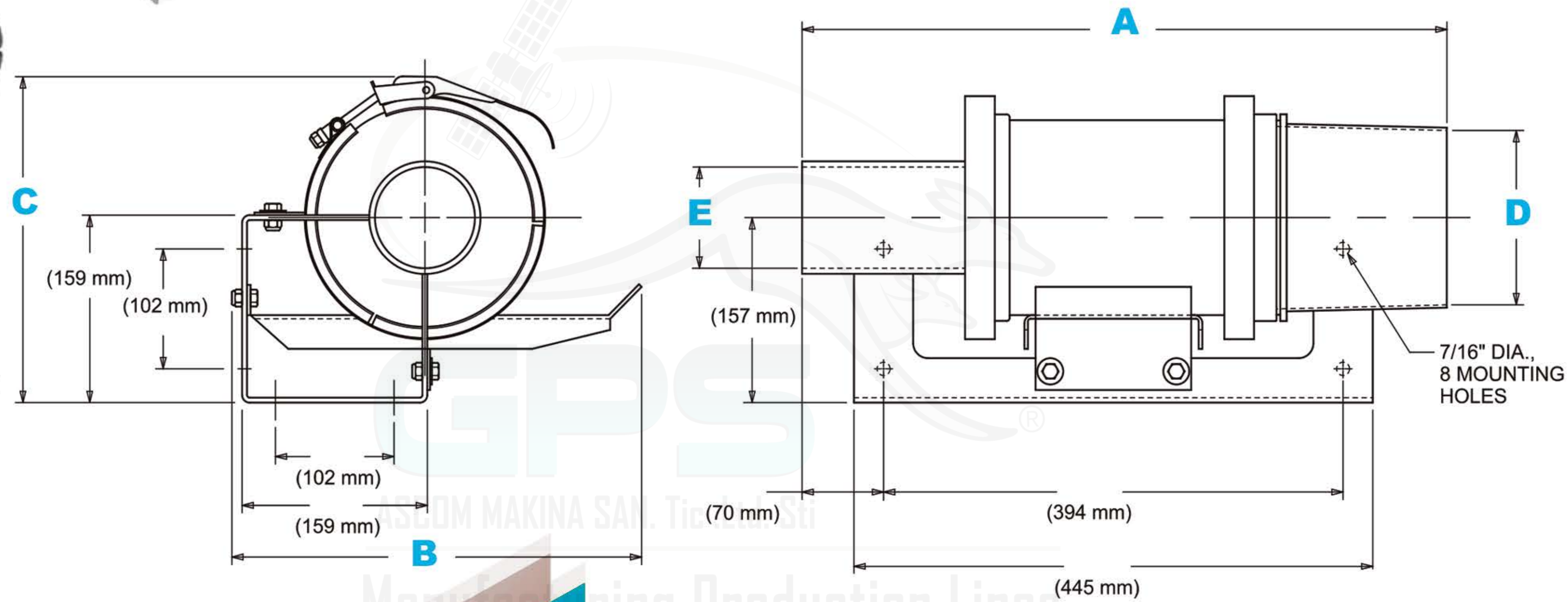
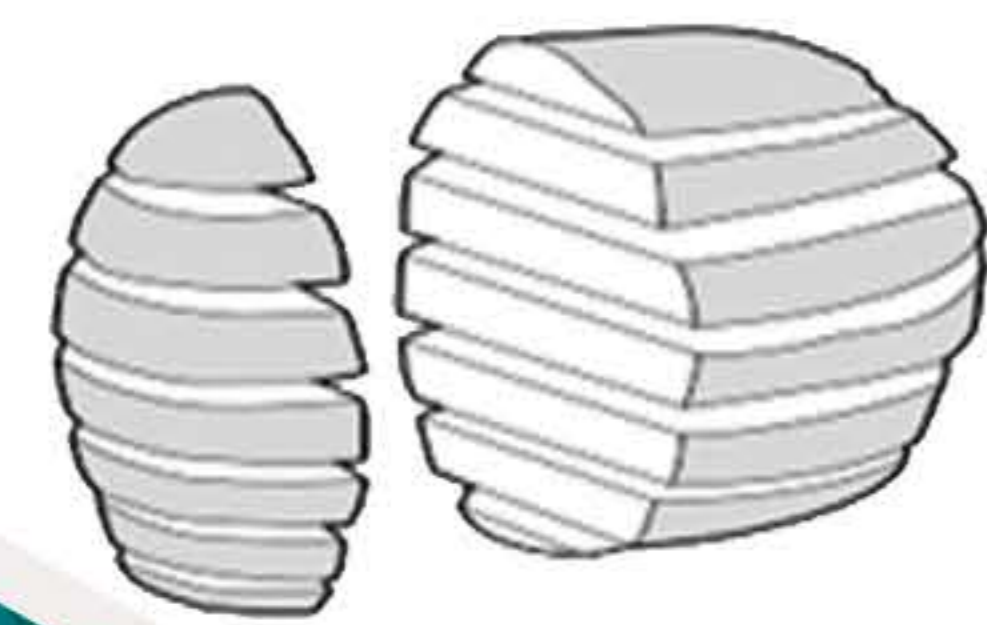
**Segment Cuts**

4, 8, or 12



**Slabs:**

A wide range of slab cut sizes is available to meet your product requirements.



Standard



Sweet Potato



Crinkle



Steak Cut



Waffle



Square

**SPECIFICATIONS**

Length	Width	Height	Entry Diameter	Exit Diameter	Net Weight
A	B	C	D	E	
552 mm	368 mm	279 mm	148 mm	86 mm	42 kg