

WATER CUTTING SYSTEM

GFLOCUTS



3

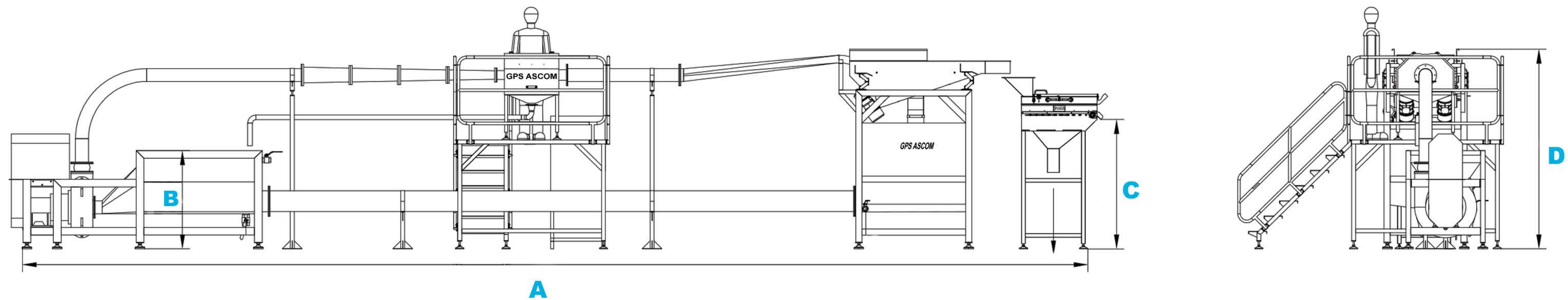


GPS-ASCOM

GPS  
M MAKINA SAN. Tic. Ltd. Sti  
Manufacturing Production Lines







## \* WATER CATTING SYSTEM

The Machine Is Equipped With 6-Inch Pump Which Mmade Of Food-Grade AISI , To Pump Potatoes With Water Through

conical tubes to reach the potatoes to the cutting blades in a longitudinal manner, which makes the waste process almost non-existent, and these tubes are designed inside 360-degree spiral channels, which makes the water flow strong, and gives The speed required for the potato to enter the cutting room, and the size of the tunnel is proportional to the size of the cutting heads to make the pieces longitudinal and in different shapes according to demand. The potato to be sliced is pushed by water through a tube into the water gun unit. The speed of the potato in the water gun unit should range from 50 to 60 feet per second (15 to 18 m / s). The pump should be selected to provide the appropriate volume and speed of the water with a pusher designed to reduce the possibility of potato spoilage Made of stainless steel 304 The knives are imported

The blade set is made of bronze Safety switch and control panel with thermal conductor.

ASCUM MAKINA SAN. Tic .Ltd. Sti

Manufacturing Production Lines

MODEL	(mm) DIMENSIONS				CAPCITY t/h	MOTOR	STEAM	WATER
	A	B	C	D				
GFLOCTUS 2000	14150	1285	1695	2615	2TON	15 KW	6-7-8-9-10-11MM	1M <sup>3</sup> /h-4Bar
GFLOCTUS 4000	18000	1500	1695	2615	4TON	37.5 KW	6-7-8-9-10-11MM	2M <sup>3</sup> /h-4Bar
GFLOCTUS 6000	28000	1700	1695	2615	6TON	55 KW	6-7-8-9-10-11MM	3M <sup>3</sup> /h-4Bar

