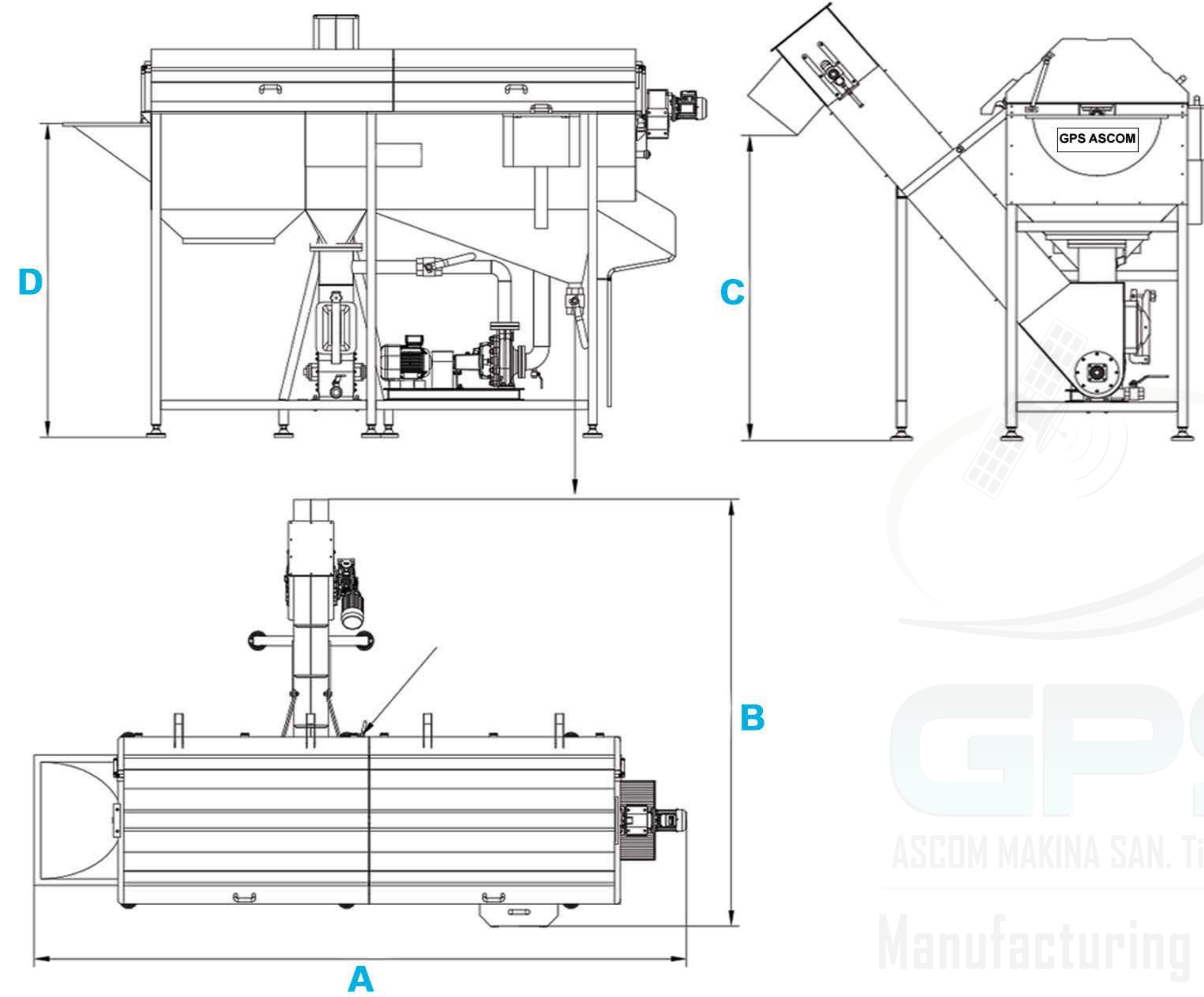


**WASHER AND STONE REMOVE MACHINE**

**GCSRWD**



**\* WASHER AND STONE REMOVER MACHINE**

It Consists Of A Wash Basin Made Of Stainless Steel (304) To Remove stone and mud from the potatoes, equipped with a spray system for effective washing of the pump and a cylindrical system that works with the power of water that is pumped from the bottom to the washing section while the heavy and strange materials washed from the potatoes accumulate at the bottom of the first basin , and separate there from the water as the water is filtered and returned to the wash basin the materials that collected at the bottom of the basin from the first section are taken out by the elevator in order to collect the filter water for recycling to the first wash basin



MODEL	(mm) DIMENSIONS				CAPCITY t/h	MOTOR	WATER	AIR m <sup>3</sup> /min
	A	B	C	D				
GCSRWD 2000	6000	2000	1685	1980	2TON	5.5 KW	1M <sup>3</sup> /h-4Bar	50L/Min-6Bar
GCSRWD 4000	6000	2000	1685	1980	4TON	7.5 KW	2M <sup>3</sup> /h-4Bar	80L/Min-6Bar
GCSRWD 6000	8000	2500	1950	2250	6TON	15 KW	3M <sup>3</sup> /h-4Bar	120L/Min-6Bar

