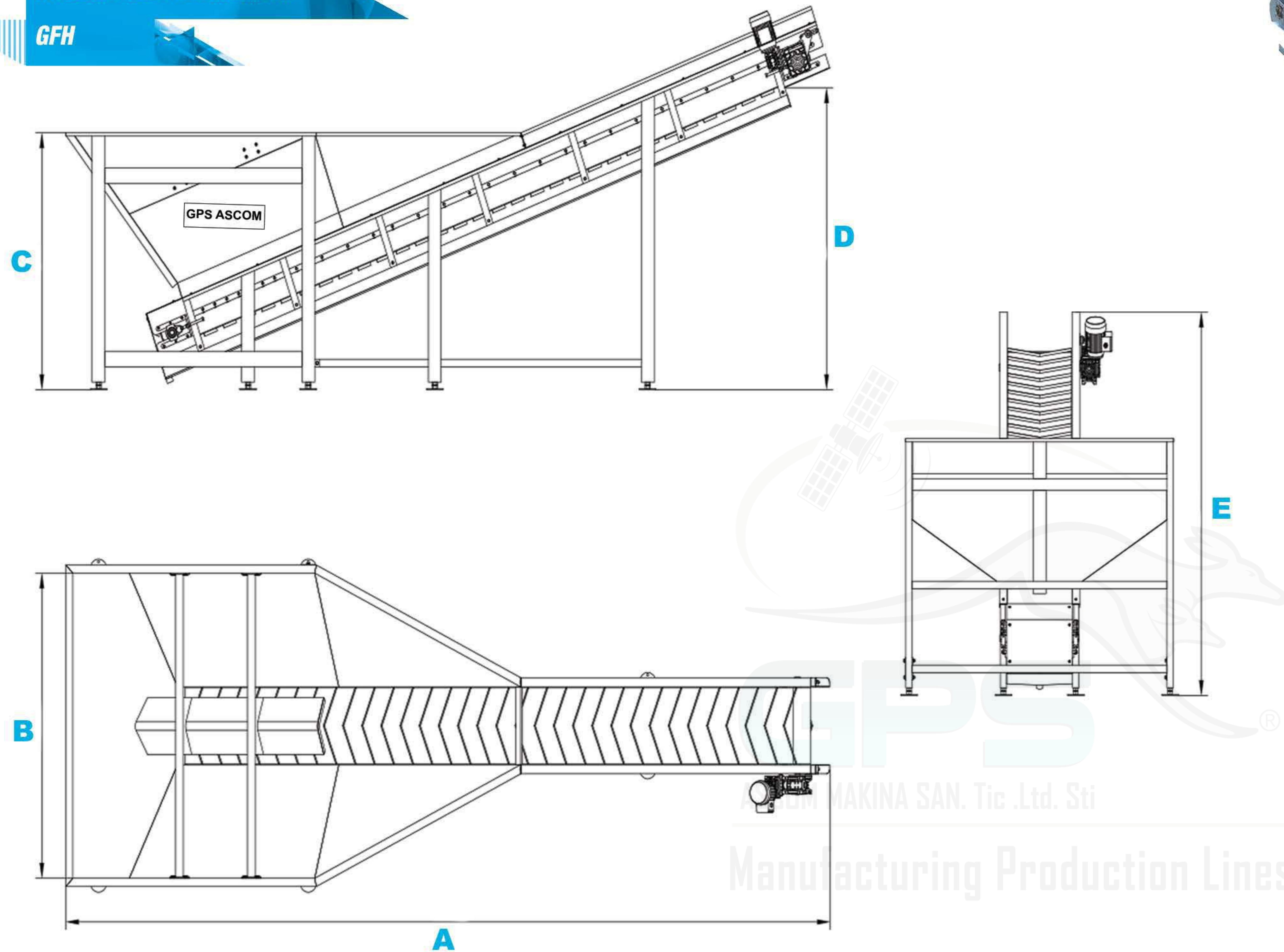


RUBBER BELT CONVEYOR

GFH



* RUBBER BELT CONVEYOR WITH FEEDING HOPPER / GFH

It Is Used To Collect Potatoes And Feed Them to the next stage equipment into the washing machine to avoid product damage from bumps, the walls of the collecting and feeding hopper are covered with shock-absorbing rubber the conveyor and the hopper are made of (304 stainless steel)

MODEL	(mm) DIMENSIONS					MOTOR VIBRATING
	A	B	C	D	E	
GFH 2000	6000	2000	1685	1980	2515	1.5 KW
GFH 4000-6000	8000	2500	1950	2250	2715	2.2 KW

